

Berlin “Snoots” House

Historic Property Redevelopment Project

Frederick County, Md.

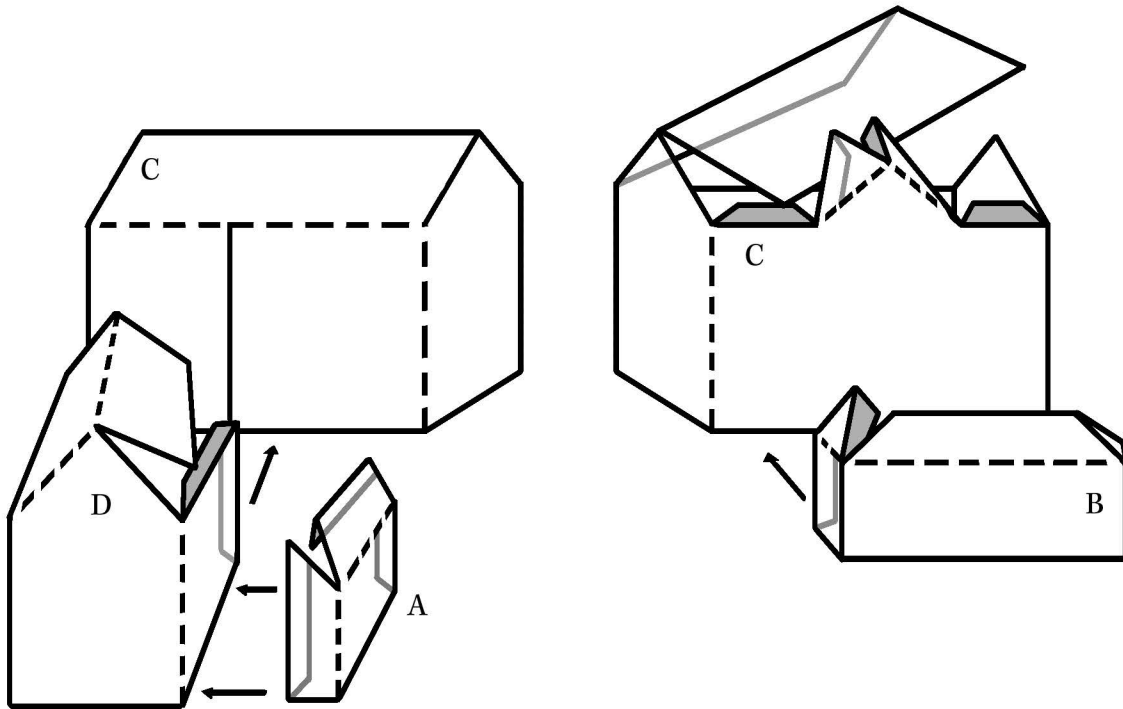
ca. 1830 and 1850

Originally deeded in 1787, the house is one of twelve buildings that predate the current town name of Brunswick, which was previously known as Berlin prior to 1890. Preservation Maryland’s Historic Property Redevelopment Program is currently working with the City of Brunswick on its rehabilitation into a community heritage space.



Protecting Our Past, Investing in Our Future

Preservation Maryland is a non-profit harnessing the power of historic places by revitalizing and reinvesting in communities, advocating, and building the historic trades workforce for the benefit of all Marylanders. This model is part of our *Building Communities* series, paper models that highlight the history and design of historic structures across Maryland - and the impact they continue to have on the communities in which they reside. To support Preservation Maryland and our Historic Property Redevelopment Program, visit <http://www.presmd.org/donate>



Instructions

Cut out the buildings along the solid edge of the structure, leaving in the tabs. Fold the paper along the dotted lines. Glue the shaded tabs to the areas shown in the example drawing above. Glue the separate structures to the blank areas in the example drawing.



Cut along line



Do not cut out this section